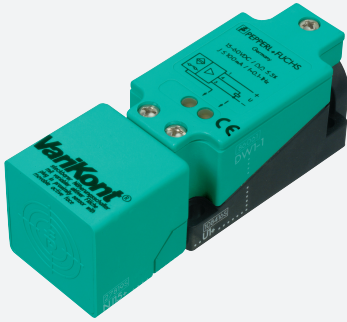


Inductive rotation speed monitor

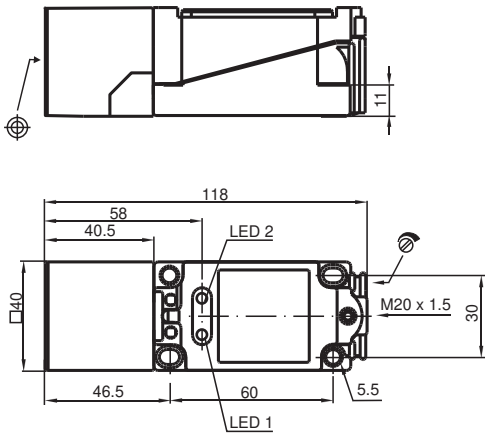
NJ15+U1+DW1-10



- Rotational speed controller
- 15 mm flush
- Start-up override time = approx. 30 s



Dimensions



Technical Data

General specifications

Switching function		Normally open (NO)
Output type		PNP
Frequency range		1 ... 10 Hz , adjustable
Rated operating distance	s_n	15 mm
Installation		flush
Output polarity		DC
Assured operating distance	s_a	0 ... 12.15 mm
Reduction factor r_{Al}		0.4
Reduction factor r_{Cu}		0.3
Reduction factor r_{304}		0.85
Output type		3-wire

Nominal ratings

Operating voltage	U_B	15 ... 60 V DC
-------------------	-------	----------------

Release date: 2022-06-22 Date of issue: 2022-06-22 Filename: 015944_eng.pdf

Refer to "General Notes Relating to Pepperl+Fuchs Product Information".

Pepperl+Fuchs Group
www.pepperl-fuchs.com

USA: +1 330 486 0001
fa-info@us.pepperl-fuchs.com

Germany: +49 621 776 1111
fa-info@de.pepperl-fuchs.com

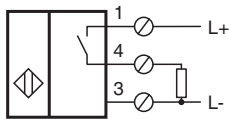
Singapore: +65 6779 9091
fa-info@sg.pepperl-fuchs.com

PF PEPPERL+FUCHS



Technical Data

Reverse polarity protection		reverse polarity protected
Short-circuit protection		pulsing
Voltage drop	U_d	$\leq 2 \text{ V}$
Operating current	I_L	0 ... 100 mA
No-load supply current	I_0	$\leq 25 \text{ mA}$
Switching state indicator		LED 1: yellow
Damping indicator		LED 2: yellow
Functional safety related parameters		
MTTF _d		820 a
Mission Time (T _M)		20 a
Diagnostic Coverage (DC)		0 %
Compliance with standards and directives		
Standard conformity		
Standards		EN 60947-5-2:2007 IEC 60947-5-2:2007
Approvals and certificates		
UL approval		cULus Listed, General Purpose
CSA approval		cCSAus Listed, General Purpose
CCC approval		Certified by China Compulsory Certification (CCC)
Ambient conditions		
Ambient temperature		-25 ... 70 °C (-13 ... 158 °F)
Mechanical specifications		
Connection type		screw terminals
Information for connection		A maximum of two conductors with the same core cross section may be mounted on one terminal connection! tightening torque 1.2 Nm + 10 %
Core cross section		up to 2.5 mm ²
Minimum core cross-section		without wire end ferrule 0.5 mm ² , with connector sleeves 0.34 mm ²
Maximum core cross-section		without wire end ferrule 2.5 mm ² , with connector sleeves 1.5 mm ²
Housing material		PBT
Sensing face		PBT
Degree of protection		IP67

Connection



Accessories

	MH 04-2681F	Mounting aid for VariKont, +U1+ and +U9*
	V1-M20-80	Receptacles, M12/M20; plastic version